

## BLOCK-S

For small business users, the Block-S, starting from 60kWh, is an interesting ESS solution with impressive ROI potential

- Block-S 3060 (SUN30K - Cabinet 60kWh)
- Block-S 5060 (SUN50K - Cabinet 60kWh)
- Block-S 60 (Cabinet 60kWh)



### Nominal Energy

- 60kWh high voltage battery (12 battery modules)
- The base Block-S (60kWh) can have an additional 60kWh added in parallel, with a maximum total of 180kWh

### Features

- Unique modular design & flexible configuration
- Options for self-consumption, peak shifting, forced charging & discharging, and other operational modes
- Strong scalability, easy & simple expansion on both AC and DC sides

### Easy Installation

- Efficient use of space for simple implementation

### Excellent Performances

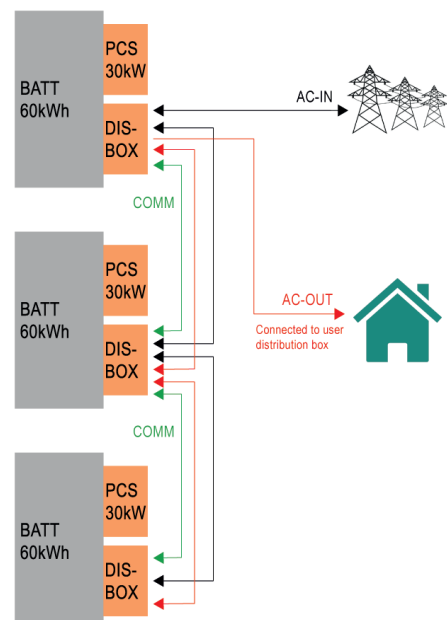
- 100% DOD (Depth of Discharge)
- Operating temperatures -20°C~55°C

### Remote Operation & Monitoring

- Real-time monitoring with Cloud Monitoring App
- Maintenance and upgrades via Wi-Fi

### Warranty

- 10 years or 6,000 cycles (25°C, 0.5C/0.5C, 90% DOD, EOL 70%)



# BLOCK-S

## Specifications

### Block-S 60 Battery 60kWh

### Block-S 3060 Battery 60kWh Hybrid Inverter 30kW\*

### Block-S 5060 Battery 60kWh Hybrid Inverter 50kW\*

Battery Parameters			
Number of battery packs	12		
Rated voltage	614.4V		
Rated energy	61,4kWh		
Voltage range	537.6~691.2V		
Max. continuous charging and discharging current	100A		
Communication	RS485/CAN		
PV Parameters			
Max. PV input power		39kW	65kW
Rated input voltage	600VDC		
Max. input voltage	1000VDC		
MPPT voltage range	200-850VDC		
PV input current		36+36+36(A)	36+36+36(A)
AC Side Parameters			
AC rated input/output power		30kVA	50kVA
AC Max. input/output power		33kVA	55kVA
AC rated input/output current		45.6A	75.8A
AC Max. input/output current		60A	83.3A
Voltage	3L/N/PE; 230/400V		
Frequency	50/60Hz		
THDi	≤3%		
Power factor	0.8 leading to 0.8 lagging		
System Parameters			
Dimensions	715*2140*750mm (W*H*D)		
Weight	840kg		
Communication	CAN/RS485/WiFi/ETH		
Expansion	Support up to 3 cabinets in parallel 150kW/180kWh		
Enclosure protection rating	IP55		
Cooling	Air cooling		
Environment temperature for charging	0°C~50°C		
Environment temperature for discharging	-20°C~55°C		
Humidity	10%~95%RH (no condensation)		
Altitude	<2,000m		
Certification	UN38.3/CE/IEC62619/CEI 0-21/VDE-AR-N 4105/IEC 62109		
Cycle life	6,000 cycles (25°C, 0.5C/0.5C, 90% DOD, EOL 70%)		
Basic protection functions	Charging overvoltage, discharging undervoltage, overcurrent, overheating, short circuit protection, etc.		
Warranty	10 years or cycle life		

\* Hybrid inverter not included



Powered by Louman Group

LANDPORT B.V. Ramgatseweg 63 | 4941 VN Raamsdonksveer - The Netherlands  
Phone: +31 (0) 162 58 14 00 | Fax: +31 (0) 162 58 14 01  
www.landportenergy.nl